

NEVILLE

PRECISION ENGINEERING LTD

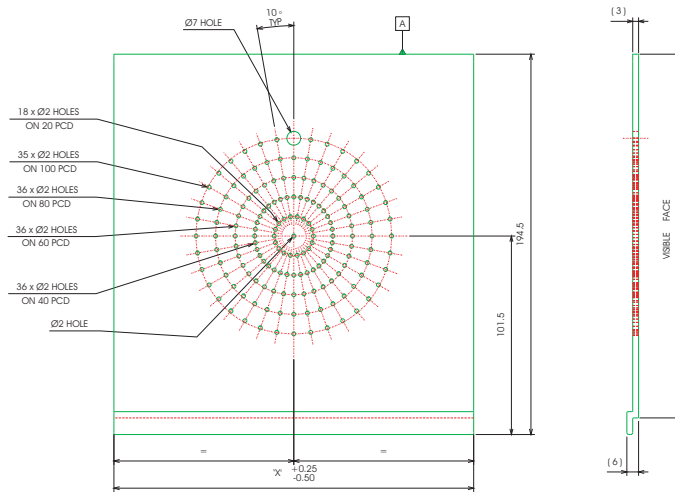


**SPECIALISTS IN THE SUPPLY AND
CNC MACHINING OF ALUMINIUM EXTRUSIONS**

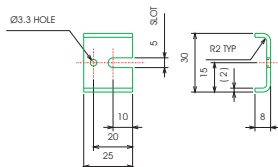
*Example
Products*

Monthly Batch Qty (This Item) = 344
Monthly Batch Qty (Similar Extrusion) = 3,240

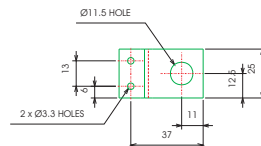
Contract Qty (This Item) = 8,256
Contract Qty (Similar Extrusion) = 76,950



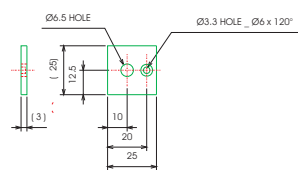
- 01 DIMENSION "X" = 184
- 08 DIMENSION "X" = 155
- 09 DIMENSION "X" = 193 (WITHOUT SPEAKER HOLES)



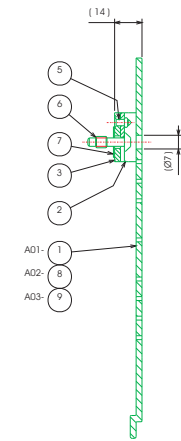
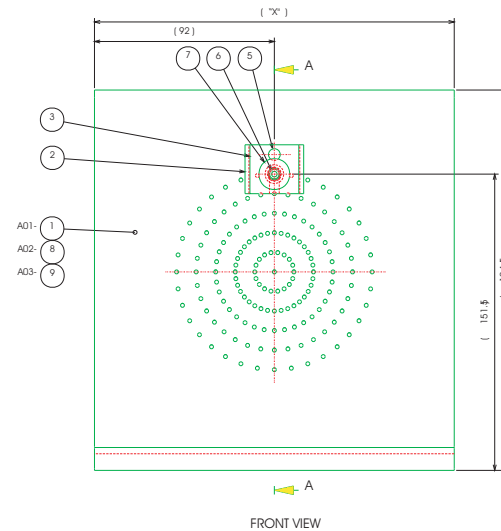
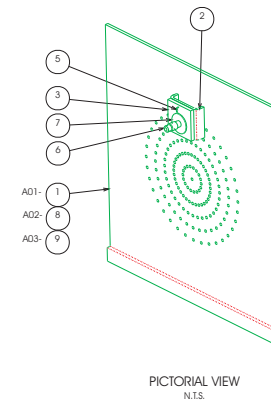
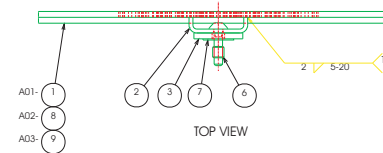
02



04



03





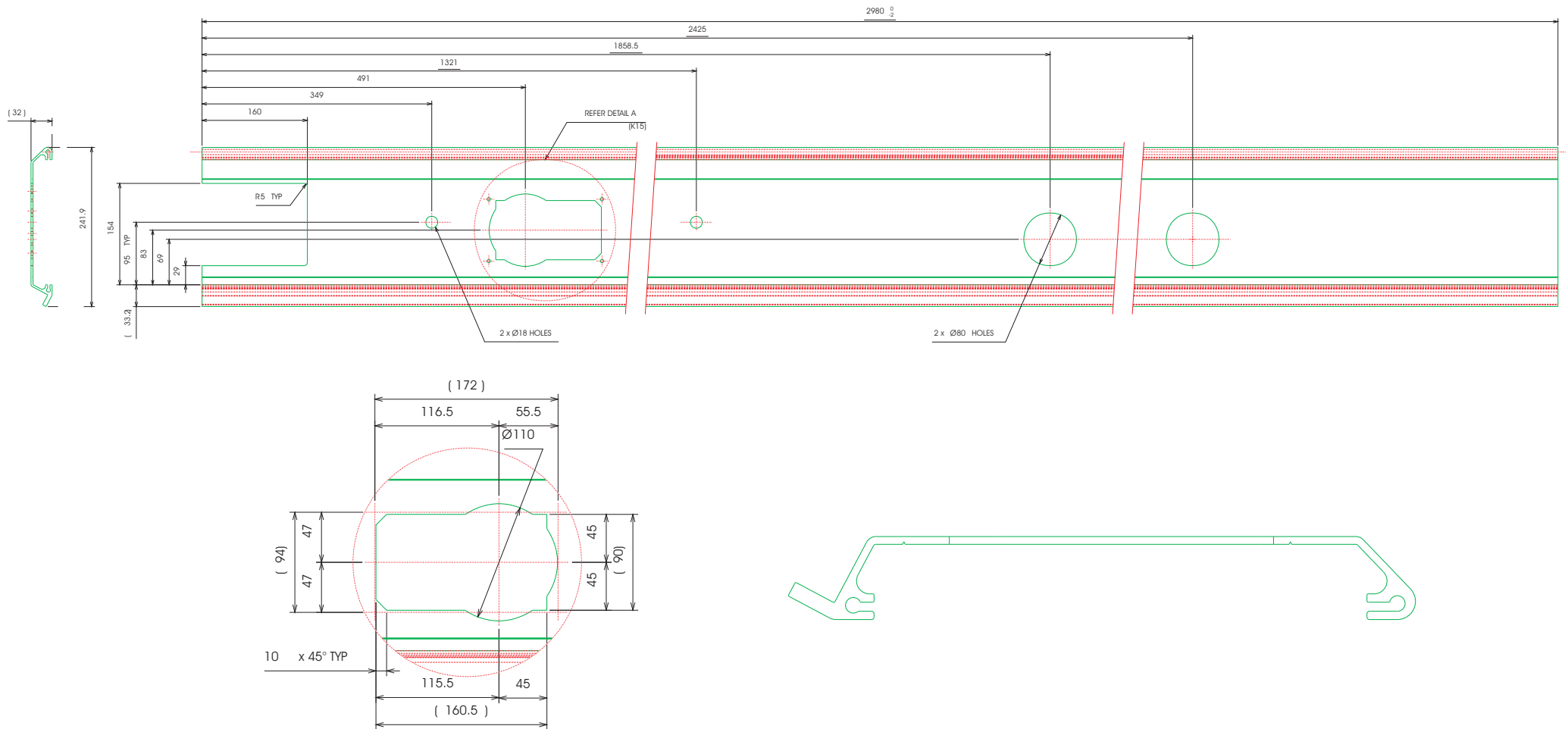
NEVILLE

PRECISION ENGINEERING LTD

**SPECIALISTS IN THE SUPPLY AND
CNC MACHINING OF ALUMINIUM EXTRUSIONS**

UNIT 4A, PARK LANE BUSINESS PARK, KIRKBY-IN-ASHFIELD, NOTTS. NG17 9LE
TEL: 01623 722113 FAX: 01623 722118 WWW.NEVILLES.CO.UK

Monthly Batch Qty (This Item) = 56 Contract Qty (This Item) = 1,330
Monthly Batch Qty (Similar Extrusion) = 640 Contract Qty (Similar Extrusion) = 15,200



Example Products Provided By Neville Precision Engineering Ltd



NEVILLE

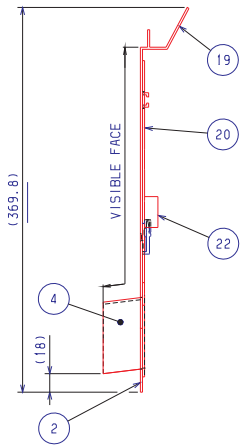
PRECISION ENGINEERING LTD

SPECIALISTS IN THE SUPPLY AND CNC MACHINING OF ALUMINIUM EXTRUSIONS

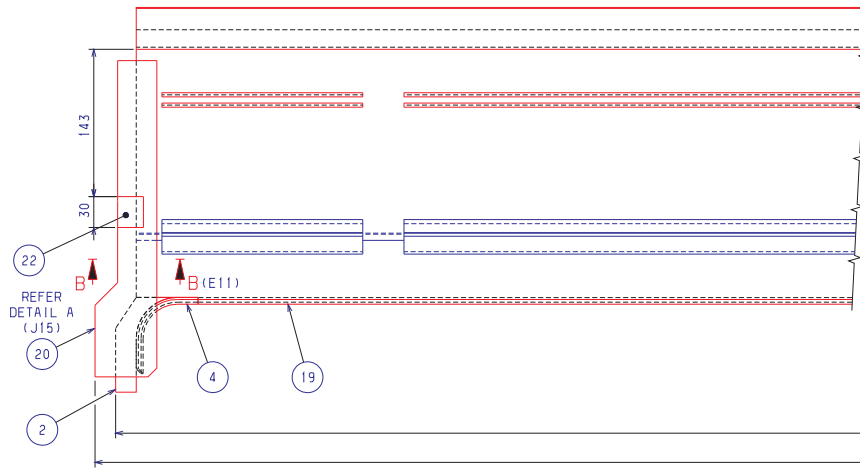
UNIT 4A, PARK LANE BUSINESS PARK, KIRKBY-IN-ASHFIELD, NOTTS. NG17 9LE
TEL : 01623 722113 FAX : 01623 722118 WWW.NEVILLES.CO.UK

Monthly Batch Qty (This Item) = 256
Monthly Batch Qty (Similar Extrusion) = 384

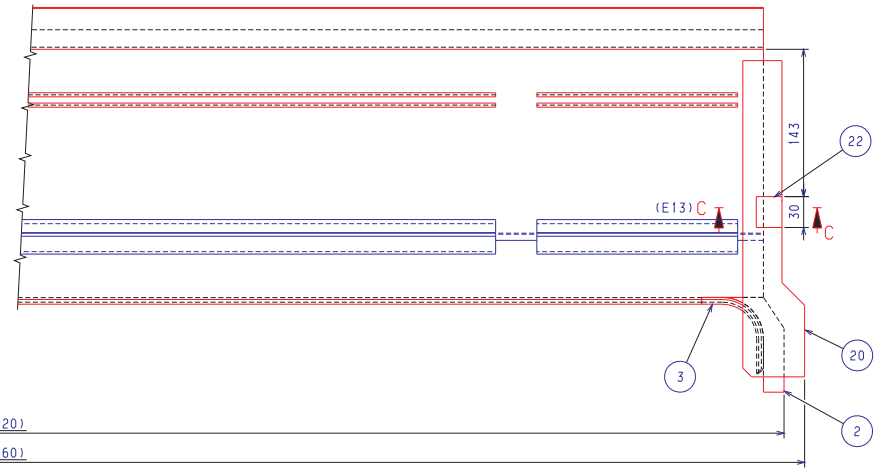
Contract Qty (This Item) = 6,080
Contract Qty (Similar Extrusion) = 9,120



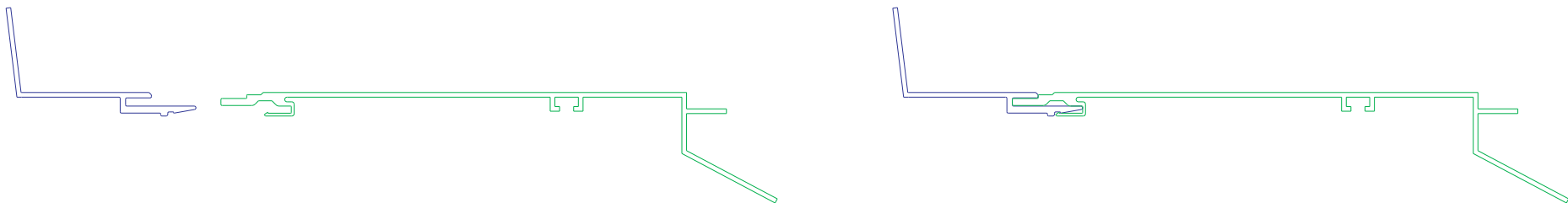
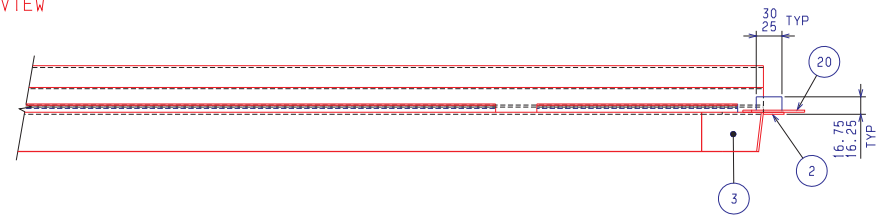
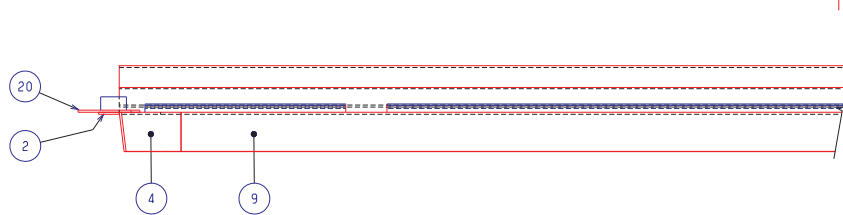
SIDE VIEW



TOP VIEW



FRONT VIEW



Example Products Provided By Neville Precision Engineering Ltd



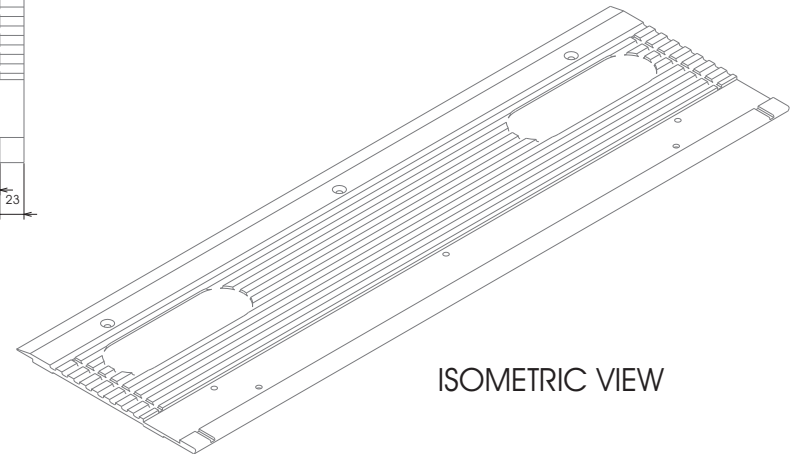
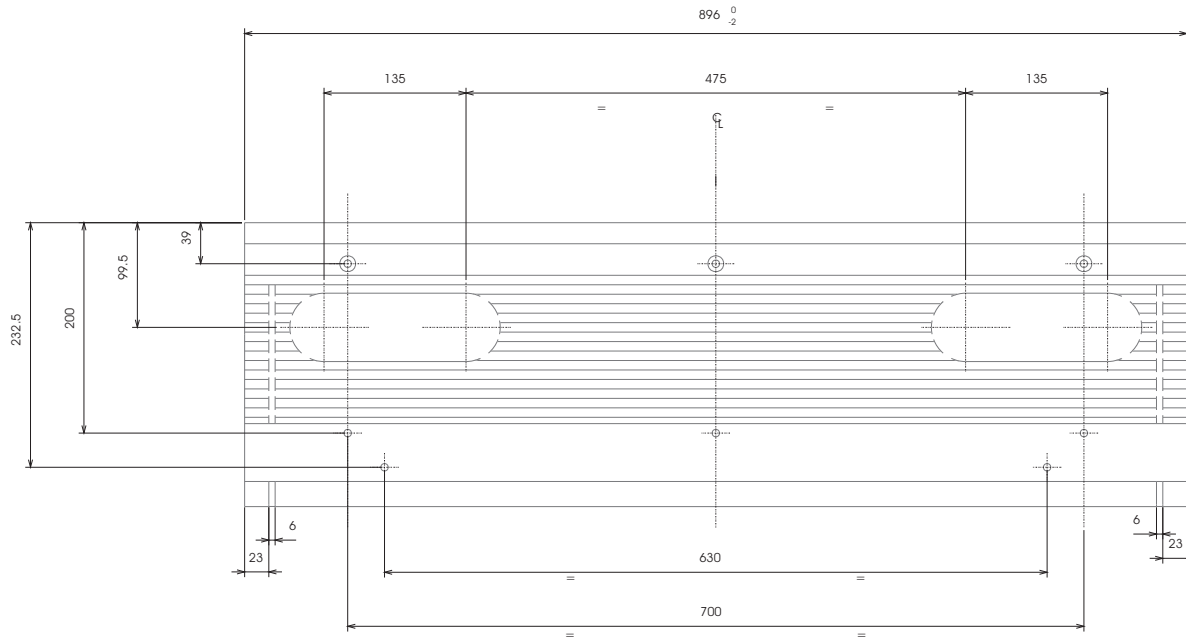
NEVILLE

PRECISION ENGINEERING LTD

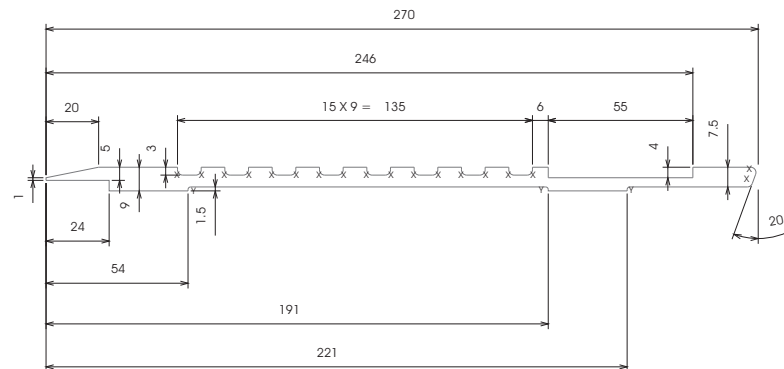
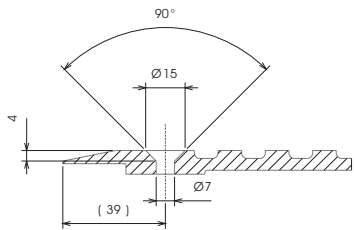
**SPECIALISTS IN THE SUPPLY AND
CNC MACHINING OF ALUMINIUM EXTRUSIONS**

UNIT 4A, PARK LANE BUSINESS PARK, KIRKBY-IN-ASHFIELD, NOTTS. NG17 9LE
TEL : 01623 722113 FAX : 01623 722118 WWW.NEVILLES.CO.UK

Monthly Batch Qty = 100 Contract Qty = 1,732



ISOMETRIC VIEW





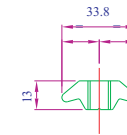
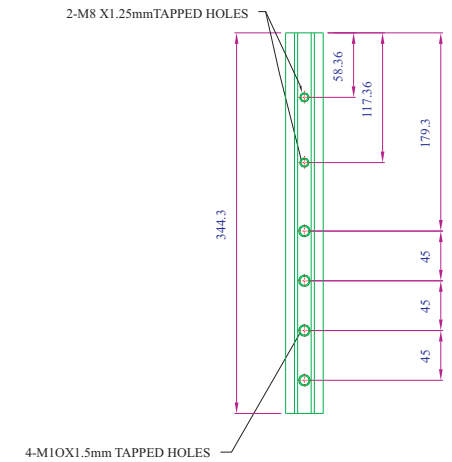
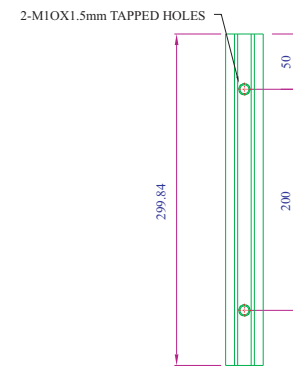
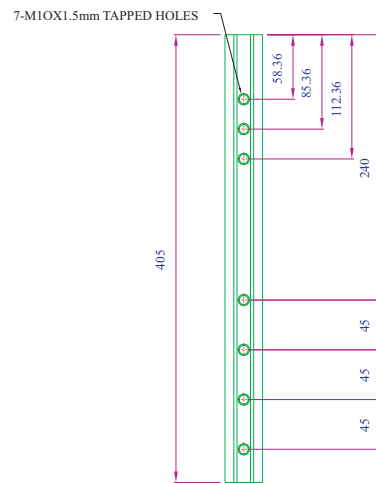
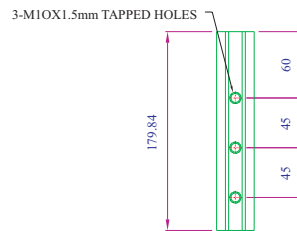
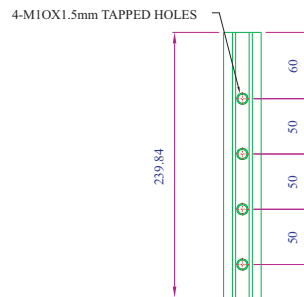
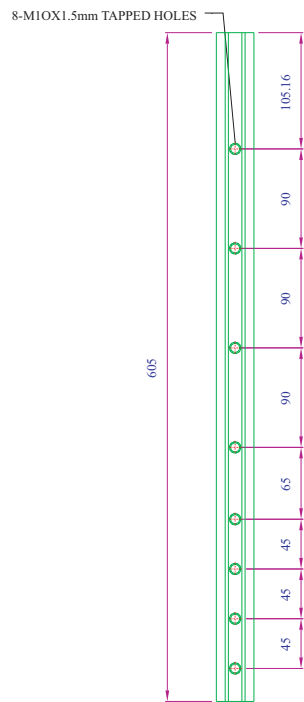
NEVILLE

PRECISION ENGINEERING LTD

SPECIALISTS IN THE SUPPLY AND CNC MACHINING OF ALUMINIUM EXTRUSIONS

UNIT 4A, PARK LANE BUSINESS PARK, KIRKBY-IN-ASHFIELD, NOTTS. NG17 9LE
 TEL : 01623 722113 FAX : 01623 722118 WWW.NEVILLES.CO.UK

Monthly Batch Qty = 100+ each



TOLERANCE ON HOLE CENTRES + 0.25mm

Example Products Provided By Neville Precision Engineering Ltd



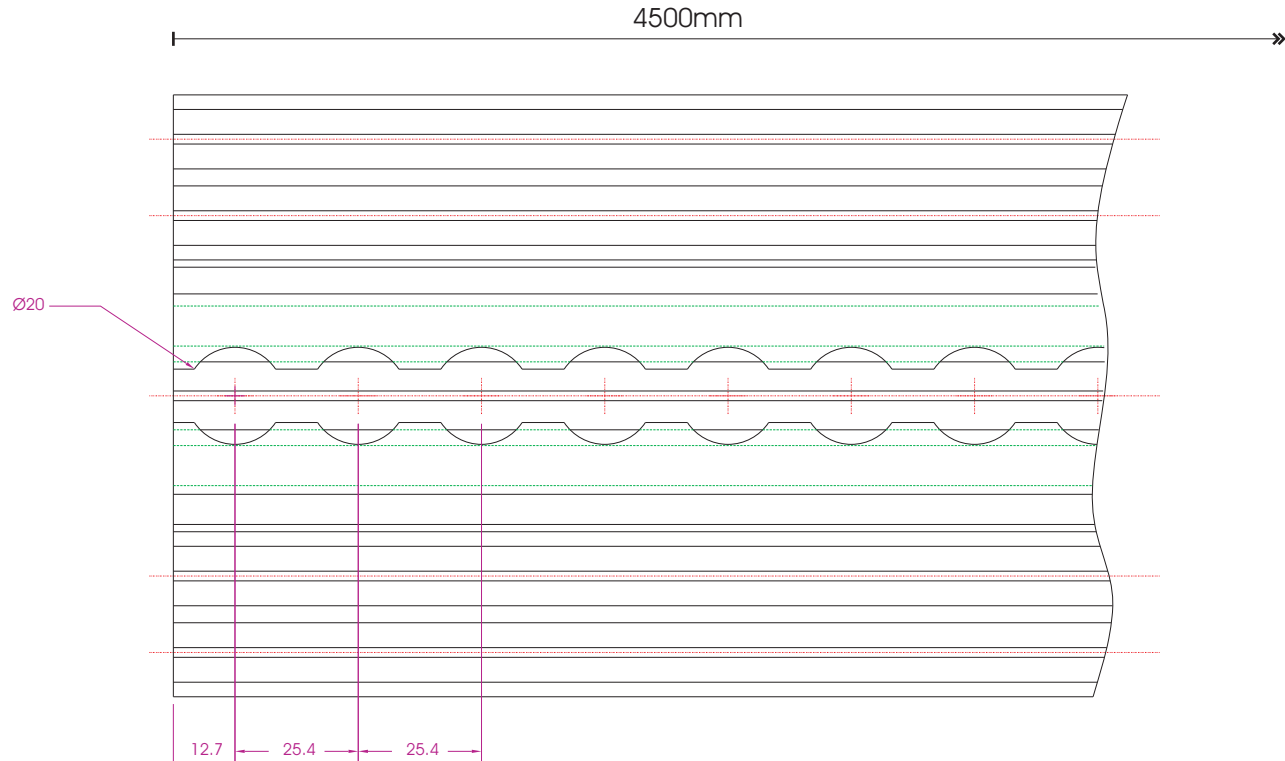
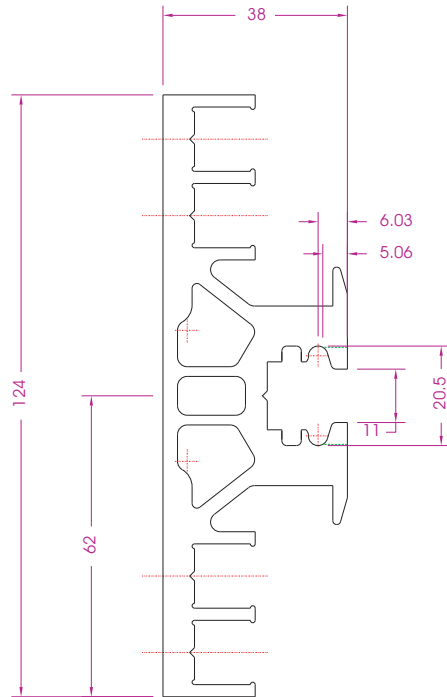
NEVILLE

PRECISION ENGINEERING LTD

**SPECIALISTS IN THE SUPPLY AND
CNC MACHINING OF ALUMINIUM EXTRUSIONS**

UNIT 4A, PARK LANE BUSINESS PARK, KIRKBY-IN-ASHFIELD, NOTTS. NG17 9LE
TEL : 01623 722113 FAX : 01623 722118 WWW.NEVILLES.CO.UK

Monthly Batch Qty = 50+



Example Products Provided By Neville Precision Engineering Ltd



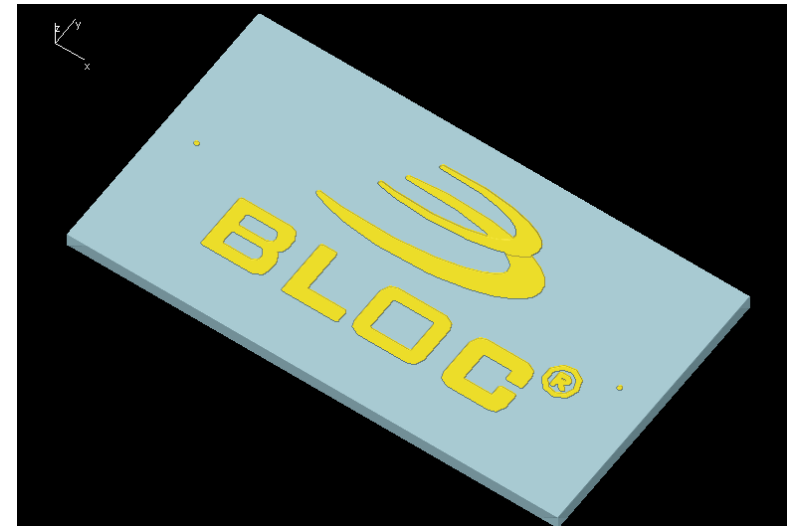
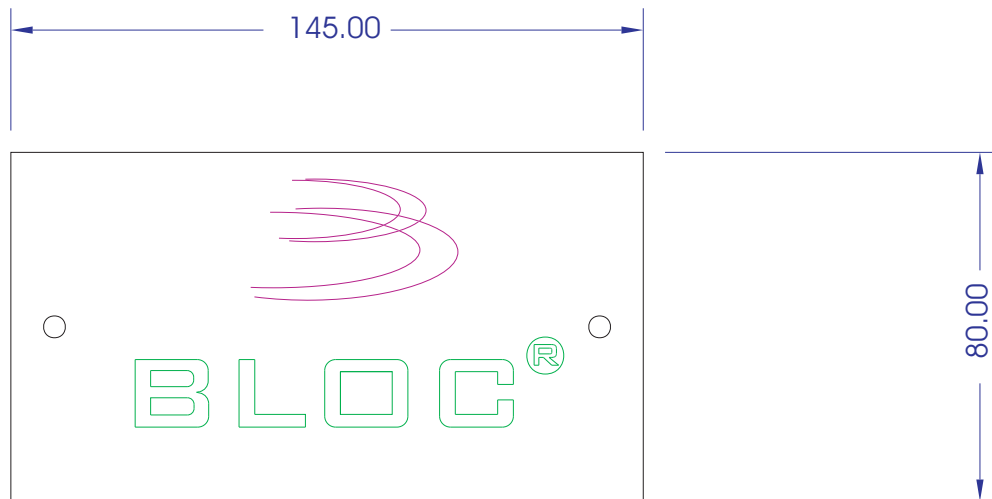
NEVILLE

PRECISION ENGINEERING LTD

**SPECIALISTS IN THE SUPPLY AND
CNC MACHINING OF ALUMINIUM EXTRUSIONS**

UNIT 4A, PARK LANE BUSINESS PARK, KIRKBY-IN-ASHFIELD, NOTTS. NG17 9LE
TEL : 01623 722113 FAX : 01623 722118 WWW.NEVILLES.CO.UK

Monthly Batch Qty = 50+



Example Products Provided By Neville Precision Engineering Ltd



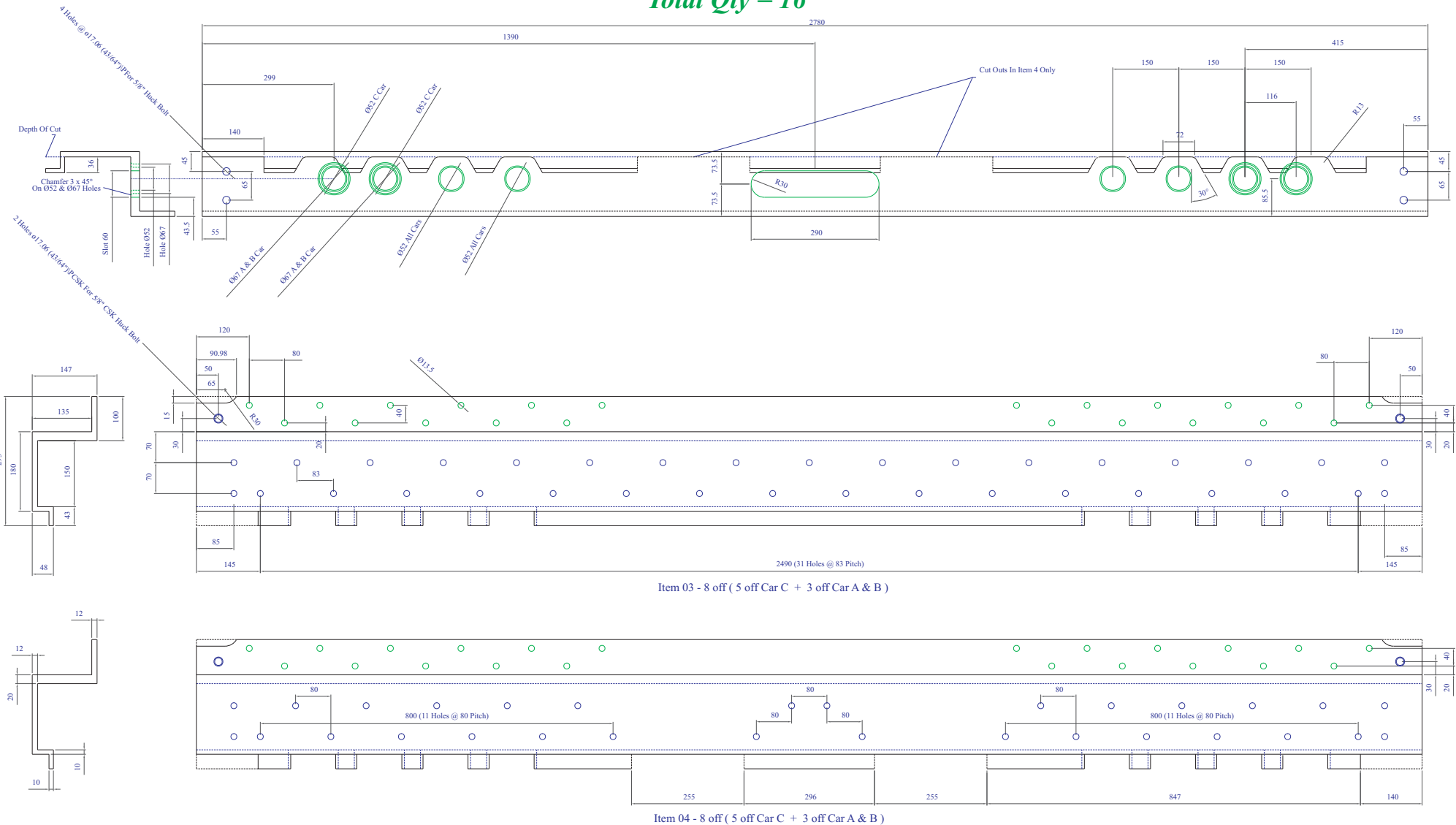
NEVILLE

PRECISION ENGINEERING LTD

SPECIALISTS IN THE SUPPLY AND CNC MACHINING OF ALUMINIUM EXTRUSIONS

UNIT 4A, PARK LANE BUSINESS PARK, KIRKBY-IN-ASHFIELD, NOTTS. NG17 9LE
TEL : 01623 722113 FAX : 01623 722118 WWW.NEVILLES.CO.UK

Total Qty = 16



Example Products Provided By Neville Precision Engineering Ltd



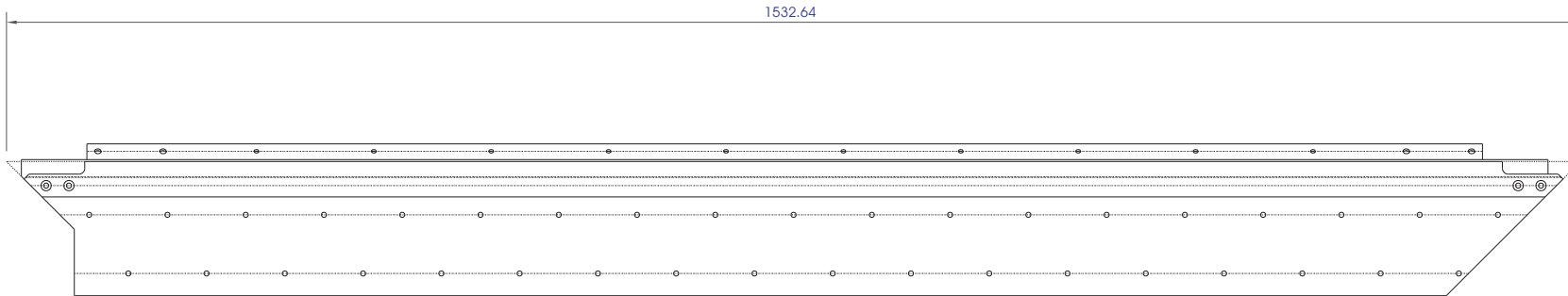
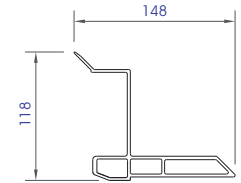
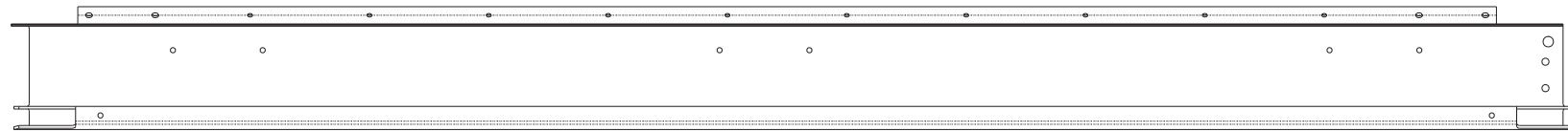
NEVILLE

PRECISION ENGINEERING LTD

**SPECIALISTS IN THE SUPPLY AND
CNC MACHINING OF ALUMINIUM EXTRUSIONS**

UNIT 4A, PARK LANE BUSINESS PARK, KIRKBY-IN-ASHFIELD, NOTTS. NG17 9LE
TEL : 01623 722113 FAX : 01623 722118 WWW.NEVILLES.CO.UK

Monthly Batch Qty (This Item) = 400
Monthly Batch Qty (Similar Extrusion) = 2,400



Example Products Provided By Neville Precision Engineering Ltd



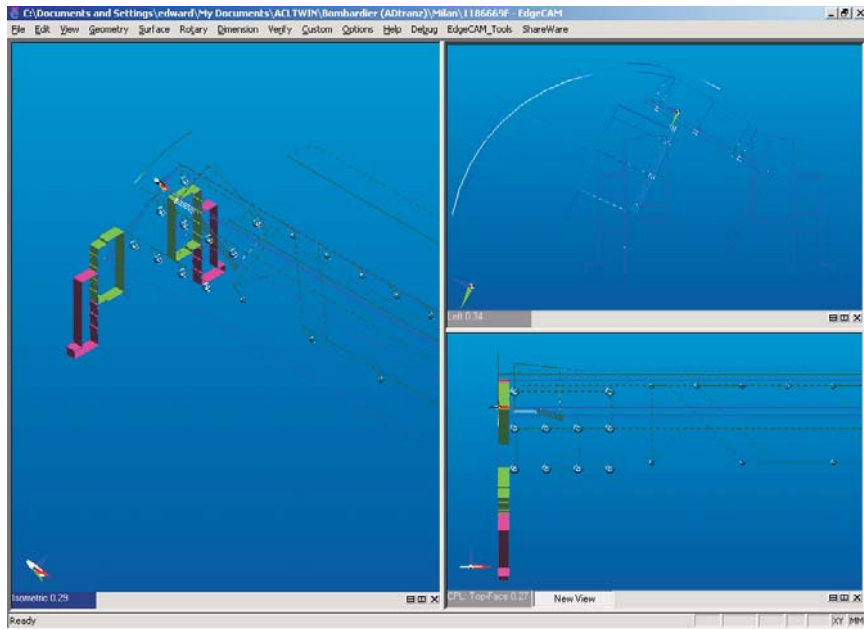
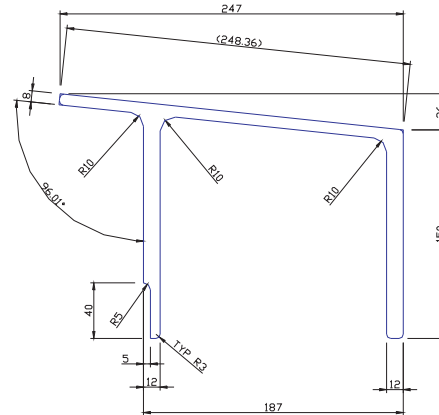
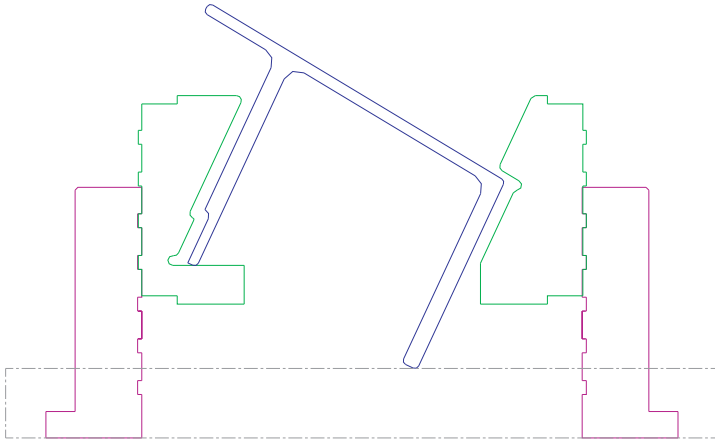
NEVILLE

PRECISION ENGINEERING LTD

SPECIALISTS IN THE SUPPLY AND CNC MACHINING OF ALUMINIUM EXTRUSIONS

UNIT 4A, PARK LANE BUSINESS PARK, KIRKBY-IN-ASHFIELD, NOTTS. NG17 9LE
TEL : 01623 722113 FAX : 01623 722118 WWW.NEVILLES.CO.UK

Total Qty = 3



Example Products Provided By Neville Precision Engineering Ltd